
USER MANUAL
Wood Burning Fireplace
LEEDS



4,2kW – 7 kW

Please read and follow the manufacturer's instructions before using the fireplace.

Store safely with a copy of the original invoice and the serial number

Section	Contents	Page
1.	RSA RULES AND REGULATIONS	3
2.	Data Sheet	3
3.	Important information about installing and using the stove	4
4.	Unpacking & Assembly	5
5.	Installation of the stove	6
6.	Operating Instructions	8
7.	Guidance on safe operation	12
8.	Maintenance	13
9.	Common Faults	16
10.	Warranty	17

1. RSA RULES AND REGULATIONS

All installations and components must adhere to and comply with Local Authority

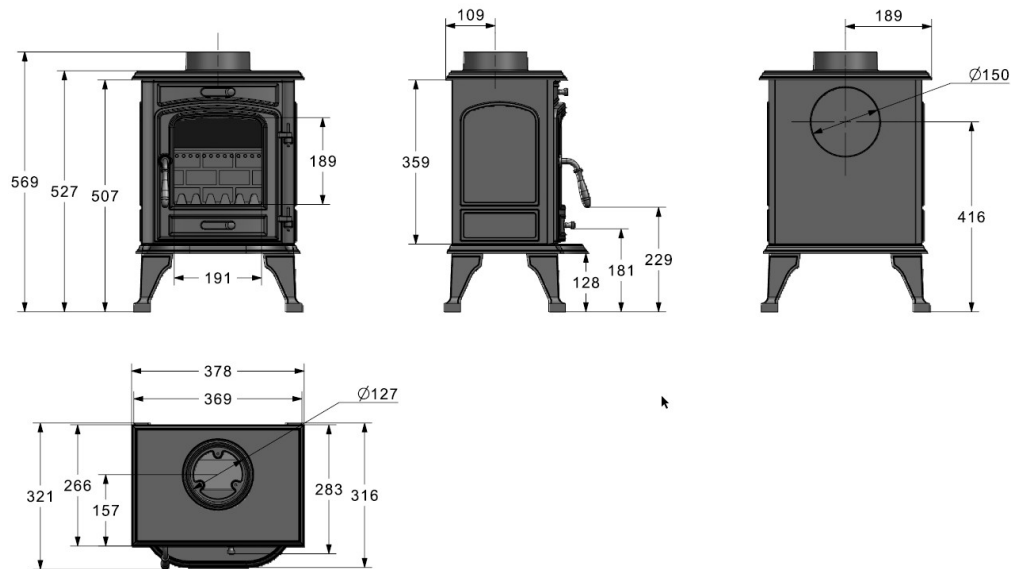
By- Laws, National Building Regulations and the relevant SABS codes.

THANKS FOR BUYING OUR FIREPLAC , PLEASE READ THESE INSTRUCTIONS CAREFULLY

For your safety it is very important that your stove is correctly installed. Take care when assembling and moving the stove. It is made of cast iron and is very heavy (52 kgs)





2. Data Sheet


Item No.		LEEDS
Weight		52KGS
Dimensions (WXDXH)mm		355 X 288 X 513
Flue size		125mm
Solid Wood Logs: Test Results With 0.75hr Interval Refuels		
Parameter		Mean
Test duration	h	0.76
Total efficiency	%	79.2
Nominal / Maximum heat output	kW	4,2 -7kw
Mean CO ² emission	%	8.9
Mean CO emission	%	0.12
Mean CO emission (at 13 % O ₂)	%	0.10
Mean flue gas temperature	°C	259
Flue gas mass flow	g/s	3.9
Mean C _n H _m emission (at 13 % O ₂)	Nmg/m ³	89
Mean NO _x emission (at 13 % O ₂)	Nmg/m ³	64
DIN Plus particulates (at 13 % O ₂)	Nmg/m ³	21




Please note that details and specifications contained herein are correct at the time of going to print. We reserve the right to change specifications at any time without prior notice.


3. Important Information About Installing and Using the Stove


- 
 The stove must be installed by a registered installer or approved by your local building control officer.
- 
 This fireplace is designed for domestic space heating only.
- 
 Burn only approved fuels (Solid Wood). Do not use petroleum-based products or use as an incinerator.
- 
 This stove will become very HOT when in operation and care must be taken. Suitable gloves must be worn to operate the primary/secondary controls or when reaching inside the stove to position fuel or remove ash. Do not place flammable objects on or near the stove.

 It is possible to fire the stove beyond its design capacity. This will damage the stove. Watch for signs of overfiring - if any part of the stove starts to glow red, the stove is in an overfire situation and the air controls must be used to reduce the combustion air.

Never leave the stove unattended for long periods without first adjusting the controls to a safe setting. Careful air supply control should be exercised at all times.

 The stove must NOT be installed into a chimney that serves any other appliance and is only suitable for intermittent burning.

 Do not make unauthorised changes or modifications to the stove

 The stove and chimney or flue pipe must be regularly cleaned. It is especially important to check for blockages following a prolonged shutdown period (birds' nests). During the warranty period, the fireplace requires an annual service and chimney sweep by a Calore Approved Service Technician.

4.Unpacking & Assembly

 **Warning: Due to the weight of the stove, it is recommended that two people perform the unpacking and assembly**

Unpacking

Before assembling, please check contents against the following list and advise your dealer immediately if any parts are missing.

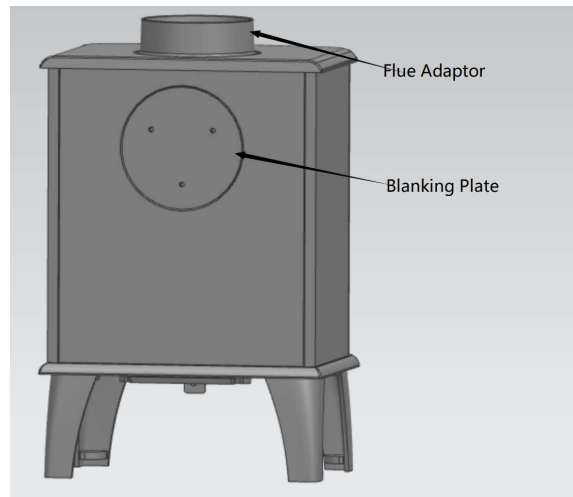
- 1 x Stove body
- 1 x Flue Connector c/w Fireproof Gasket
- 1 x Firebox Top Baffle Plate A
- 1 x Firebox Top Baffle Plate B
- 1 x Flue Blanking Plate
- 1 x Ash pan & Handle
- 1 x Grate
- 1 x Fixings Kit
- 1 x Heat Resistant Glove
- 1 x Vermiculite plate set



Assembly

Unpack the stove and remove packing materials. Open the door and remove ashpan, flue adaptor and fixing fit from inside the stove.

1. Sit the stove upright and attach the flue adaptor as showed picture below, using the screws supplied. Ensure the fireproof gasket is correctly seated in the base of the flue adaptor.



2. Install the blanking plate on the rear of the stove when a top flue exit is required. For the rear flue exit, the blanking plate will be fitted to the top of the stove and the flue connector to the rear.
3. Set ashpan in position. An ashpan handle is supplied for use when the stove is hot.

5. Installation of the stove

PLEASE READ THESE INSTRUCTIONS CAREFULLY

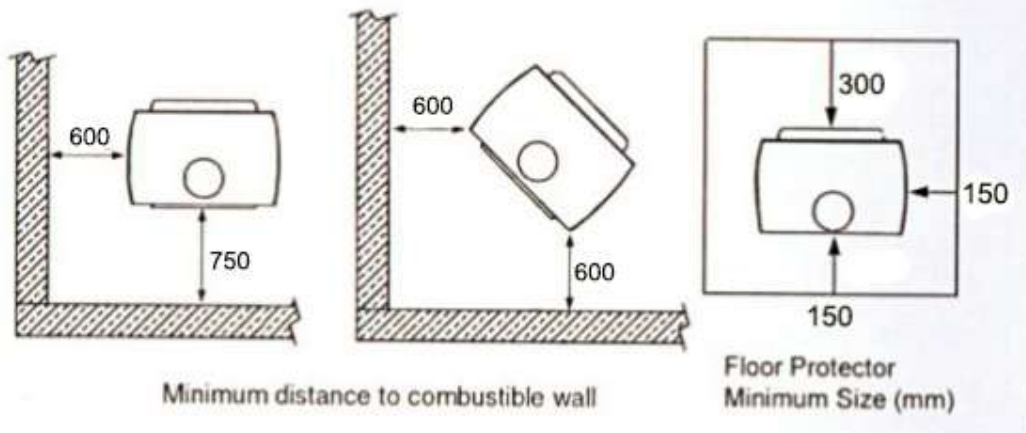


For your safety it is very important that your stove is correctly installed. Our Stoves cannot accept any responsibility for any fault arising through incorrect installation or use.

Safety Distances

The stove must have below minimum clearance to combustible materials

Fig 4



It is recommended that the stove be installed at least 600 mm from combustible materials. However, any household furnishings should be at least 1000mm away as they could be adversely affected by heat.

If the stove is to be installed in a non-combustible recess it is recommended that 150mm clearance is left at the back and 250mm sides for maintenance and to allow air to circulate around the stove

Due to the heat of a hot stove, a suitable fire guard should be used to provide additional protection. Never allow young children to be left unsupervised in a room containing a hot stove.

Floor

National and local building regulations must be complied with when considering the floor or hearth where the stove is to be installed. The floor must be capable of bearing the weight of the stove and the maximum hearth temperature measured on testing was 48.5 deg C on full fire.

The Chimney

The stove is supplied with a flue pipe connector for top or rear mounting with the fixing screws supplied. The stove should never be connected to a shared chimney/flue system.

Flue pipes with a smaller cross-sectional area than that of the stove outlet should never be used. Flue pipes must not project into the chimney connector, such as to cause a restriction to the gas flow.

Consideration must be given to installing extra access in the flue system to ensure all sections can be cleaned and maintained.

Combustion Gases and Emissions

To avoid chimney problems, your fire should not be burnt slowly for longer than 8 hours without a period of fast burning.

Properly installed and operated, this stove will only emit flue gases and smoke from the chimney stack or flue pipe termination. A small amount of smoke and gas may enter the space when the door is opened for ash clearing and refueling.

For a consistent smell of flue gas and if smoke is noticed in the space without the door open:

1. Open doors and windows to ventilate room.
2. Let the fire out or eject and safely dispose of fuel from the stove.
3. Check for flue chimney blockage and clean if required.
4. Do not attempt to re-light the fire until the cause has been identified and corrected.

If necessary, seek professional advice.

6. Operating Instructions

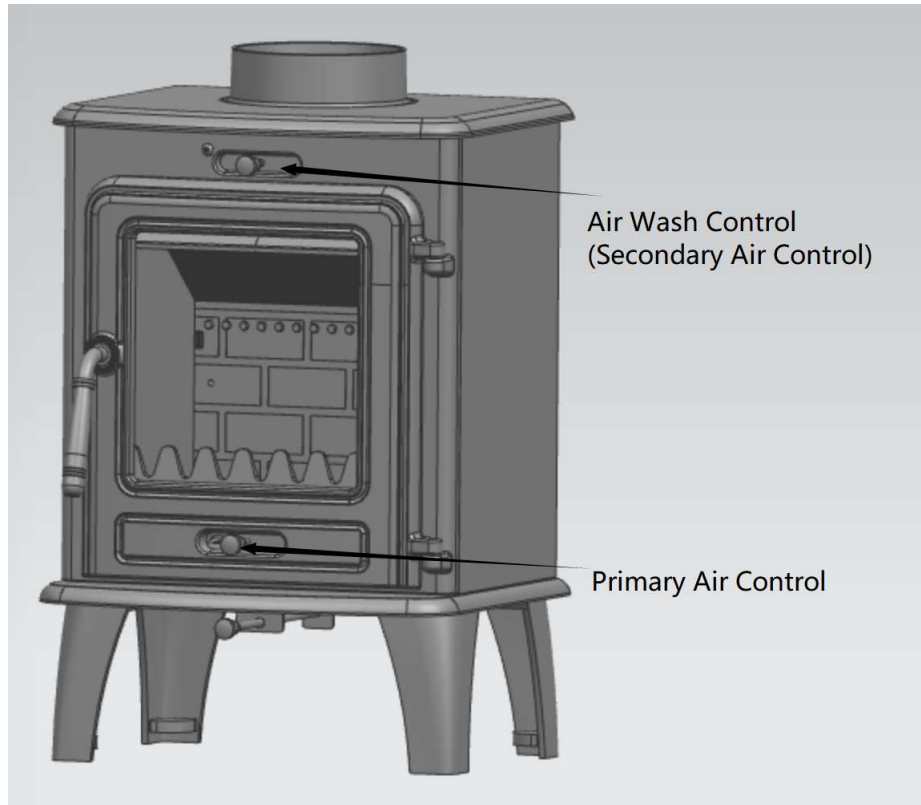
The Controls

The amount of heat emitted by the stove is regulated using the air control levers at the front of the stove.

The primary air lever must always be fully open when starting. Adjustments to the amount of air entering the combustion chamber are only made after successful combustion has taken place.

The secondary air lever must always be fully open when starting. Adjustments to the amount of air entering through the door are only made after successful combustion has taken place.

The secondary air control or “air-wash” feature, both increases combustion efficiency and when set correctly, functions to keep the inside of the door glass clear of soot.



WARNING:



The temperatures reached by this fireplace during operation will cause an injury to the user if the fireplace is handled incorrectly. Because **HOT** parts require adjusting during operation, protective gloves must be worn when handling these parts.

Solid Wood Fuel

This stove is designed to combust solid wood only. All fuel should be dry and well seasoned, with a moisture content below 20%. The use of damp wood will result in dangerous and highly flammable soot and tar deposits being left in the chimney, flue and stove. Burning damp wood also results in poor and inefficient space heating as the thermal energy is wasted when burning the moisture from the fuel.

DO NOT BURN wet or unseasoned wood, construction timber, painted or treated wood, driftwood or manufactured board products. This will cause harmful smoke and the flue gases will coat and damage the internal components of the stove and flue and could result in a serious chimney fire.

Before Lighting

If using for the first time or following a long period out of use, check the flue is clear and unobstructed by first burning a piece of paper and checking the draw of the smoke.

WARNING:



During the first few times the stove is used, make only small to medium size fires to cure the heat-resistant paint. It will give off small amounts of smoke and odours. This is completely normal for this type of appliance. Therefore, the room should be well ventilated during this paint curing phase.

Lighting a wood fire

The “UPSIDE DOWN” Fire Lighting Method

STEP 1

Start by placing the largest logs side by side. Try to get them together as tight as possible. The objective is not to leave a space for the live coals to fall through to the bottom layer. The tighter the bottom logs are placed together the longer and more effective your fire will burn.

STEP 2

On the next layer(s) put the medium size logs that are a bit smaller and can burn easier. The easier it is to burn, the higher on the pile it goes.

STEP 3

Finally, the smallest pieces that is easiest to burn goes on the very top. Kindling & Tinder.

STEP 4

Starting the upside-down fire by placing your eco-firelighters with-in the first layer of kindling and light it. The layers will start to burn from the top down, creating live coals which will start to pile up on the next level, causing it to ignite. The secret to this method is to create a domino effect of ignition from one layer to the next. Please see below diagram for a visual illustration.

Upside Down Fire

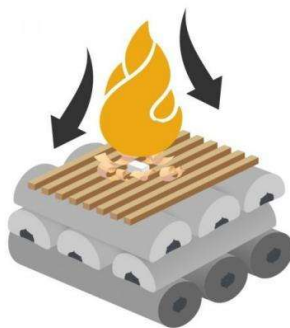


Diagram:

In the upside-down fire the bottom logs heat up and start to release volatiles. The heat and flames in the layers above, ignites and cleanly burns these volatiles.

WARNING:



When opening the door always open gently for the first 2 to 3 cm to allow the pressure to equalise and stop smoke from escaping.

The stove should not be operated with either door left open for long periods.

The stove door should never be left open when the stove is in use.

Under normal chimney draft conditions expect to refuel the stove every 45 to 60 minutes.

Refueling Procedure

Always refuel onto hot glowing embers. If there is insufficient heat in the fire bed to immediately ignite the new fuel, excessive smoke emission will occur with the possibility ignition will not take place. If it appears there are too few hot embers in the fire bed, increase the amount of hot embers by adding suitable kindling before the solid wood.

WARNING:



Directly after re-fueling, in order to achieve good clean combustion, open the secondary/air wash control to maximum for a period of 3 minutes before closing down to the required setting which keeps the glass clear.

Do not leave the fire unattended until the flames are well established on the newly charged logs

It is important to follow these instructions to achieve clean burning and to maximise the efficiency of the stove.

The stove must not be overloaded with fuel. Overloading will damage the structure of your stove and shorten its working life. Following the above procedures will maximise the performance and efficiency of the stove. Typically 3 to 4 logs will burn with an attractive flame pattern and last for about an hour (although this will depend on weather conditions, e.g. whether it is windy, and specific installations, e.g. chimney dimensions)

Ash Removal

Before removing the ash, make sure all the fuel has burned out and the ash has cooled down. You can then use an ash vacuum cleaner to suck up the ash.

If the stove is still burning and you want to remove ash or embers, wear a heat resistant glove and use fire resistant tools to place them in a heat resistant container.

7.Guidance on safe operations

Fire can be very dangerous

During operation, the stove and all the fittings (door handles and controls) get very hot.

Do not overfire the stove.

It is possible to fire the stove to such an extent that damage may occur. Look out for parts of the stove or flue glowing red hot. If such a situation occurs adjust the air supply accordingly to reduce the burning rate.

Chimney Fire

In the event of a chimney fire:

- Shut all air controls immediately
- Raise the alarm and evacuate the building
- Call the fire brigade
- Do not re-enter the building

Fumes

If installed, operated and maintained correctly the stove will not emit fumes into the room other than occasionally very small amounts when re-fuelling or de-ashing.

If fumes are being emitted during normal operation, ventilate the room by opening all doors and windows.

Let the fire burn out

Leave the room

Check the stove, flue and chimney for blockages

Do not re-use the stove until the cause of the problem has been identified and rectified.

If required seek expert help.

Adverse weather conditions

On a small number of installations, in highly unusual weather conditions, the draw of the chimney will be affected and a downdraught occurs, pushing fumes and smoke into the room.

If this occurs, the stove should not be used and advice sought from a professional fireplace installer who will advise on solutions such as an anti-downdraught cowl.

8.Maintenance

Cleaning

The inside of the stove will require regular cleaning, especially during periods of peak use, the frequency of this being indicated by experience. The ash tray (where fitted) must never be allowed to fill up over 50%. It is advisable to wear a dust mask, protective gloves and safety glasses when cleaning.

Use a stiff brush and ash type vacuum cleaner to dislodge and remove as much material as possible, starting at the top of the stove and working down to the bottom. Particular attention should be given to the air inlet controls which can become obstructed. A Calore Fire Ash Vacuum with steel drum is ideal for this process.

Service and Maintenance

When cleaning, check for any damaged parts inside the stove. In the event of damage or broken components, replacements can be obtained from your local distributor. On no account should unauthorised spare parts be used.

The stove and flue should be inspected and maintained when in a cold condition. No unauthorised modification of this product must be carried out.

This stove requires an annual service with chimney sweep by a Calore Approved Service Technician.

Stove body

The stove is finished with a heat-resistant paint which can be cleaned with a soft brush and dry cloth. Wait until the stove has cooled down before doing this.

DO NOT USE WATER OR OTHER LIQUIDS FOR CLEANING!

This finish can be renovated with stove paint from authorised supplier.

For cast iron products, should rust become apparent, clean thoroughly with a soft wire brush (brass) and apply Calore Stove and Grate Polish with a cloth.

During prolonged periods out of use, the air inlets should be left open and the door left slightly ajar. This will circulate fresh air and prevent corrosion causing condensation from forming.

Fire Rope

Check the rope around the door and glass, if rope is becoming detached, replace with rope approved for this purpose.

Inspect the fireproof door seals where fitted, to ensure there is an effective seal around the door and re-fix it if loose using stove rope adhesive. If in poor condition it should be replaced.

Cleaning the stove

Clean the outside of the stove with a soft brush.

Note - if required the flue can be accessed for clearing blockages from inside the stove by removing the baffle or deflector plate(s).

Clean the glass only when cold. Use fireplace glass cleaners such as Calore Glass Cleaner with a soft, lint free cloth.

DO NOT USE abrasive materials which will scratch and damage the glass.

The glass will remain clean during normal use, but it can become blackened with soot if the stove is being operated with either damp fuels or for extended periods at a low burn rate. This soot can often be cleared by combustion at a high temperature

and the remaining soot cleaned with Calore Glass Cleaner.

NOTE: Wet logs against a heated glass, a badly aimed poker or heavy slamming of the doors could crack the glass. The glass will not fracture with heat.

In the event of the glass being broken, it can be removed by unscrewing the retaining clips, taking care not to damage the rope seal. The approved, correct type replacement glass should be carefully placed against the seal and the retaining clips re-tensioned. Take care to tension these evenly or there is a risk of breaking the new glass pane.

Chimney

It is important to have the chimney swept at least once a year by an Approved Calore Service Technician.

Fireplaces in regular extended use, over 8 months per annual cycle, may require more frequent cleaning if soot starts collecting on the glass and internal components.

If the stove has been unused for an extended period of 18-24 months, consider having the chimney checked by a competent person before use.

Note

All parts that are in direct contact with the fire (Baffle, back or side air boxes) are considered as normal wear parts. Their life will be depend on how vigorously the stove is operated and they must be inspected and maintained on a regular basis. If they become worn, damaged or not positioned correctly, non wear parts such as the stove top and sides will be exposed to excessive heat and may be damaged. Only use replacement parts recommended by the manufacturer.

9.Common Faults

Fire is difficult to ignite and will not burn properly

The fuel is too wet and not suitable

Air inlets to the stove are blocked

The flue is blocked or restricted

Inadequate air supply into the room

Soot building up on glass

Fuel is too wet

Fuel pieces are too large and “smouldering” rather than burning.

The stove operating temperature is too low

The stove is being run too “slow” with not enough air

Poor chimney draft

Excessive wear on internal parts

Stove fired too vigorously

Too little air passing through the bottom grate

Incorrect type fuel e.g. Namibian Hardwood and not medium density woods

10.Warranty

The warranty period of the product is 24 months from the date on the sales invoice, provided all requirements for correct transportation, installation, operation, maintenance and service are observed.

In the case of a warranty claim the fireplace defect(s) must be presented to the dealer from whom it was purchased.

Not covered by the warranty:

- Faults and failures as a result of force majeure
- Seals of the door and glass after the first fire
- Glass scratches, cracks or breakages after the first fire
- Loose components in direct contact with the fire
- Downdraught of flue gases
- Defects & faults arising from transportation
- Defects & faults arising from overloading and overfiring of the product
- Defects & faults arising from the use of incorrect or unsuitable fuel
- Defects & faults arising from incorrect installation, use, cleaning, maintenance or servicing
- Paint discolouration, peeling and oxidation after the first fire
- Faults and issues arising from repairs not by the authorised dealer including the result of fitting non-original parts
- Service fee call outs and labour charges to repair and/or replace any item under warranty
- Repairs to defects or damages of the fireplace or installation due to customer negligence, misuse of the product or lack of servicing and maintenance
- Damages due to accidents, alteration of the product, misuse, lack of maintenance, fire, floods or other natural disasters, improper installation or installations not in accordance with local authority by-laws and National Building Regulations.
- Removing and Reinstalling part of the fireplace
- Shipping cost for warranty/non-warranty replacements parts

Warranty is not transferable from the original owner listed on the sales invoice

Unauthorised modifications and/or incorrect usage/installation will render this warranty null and void.