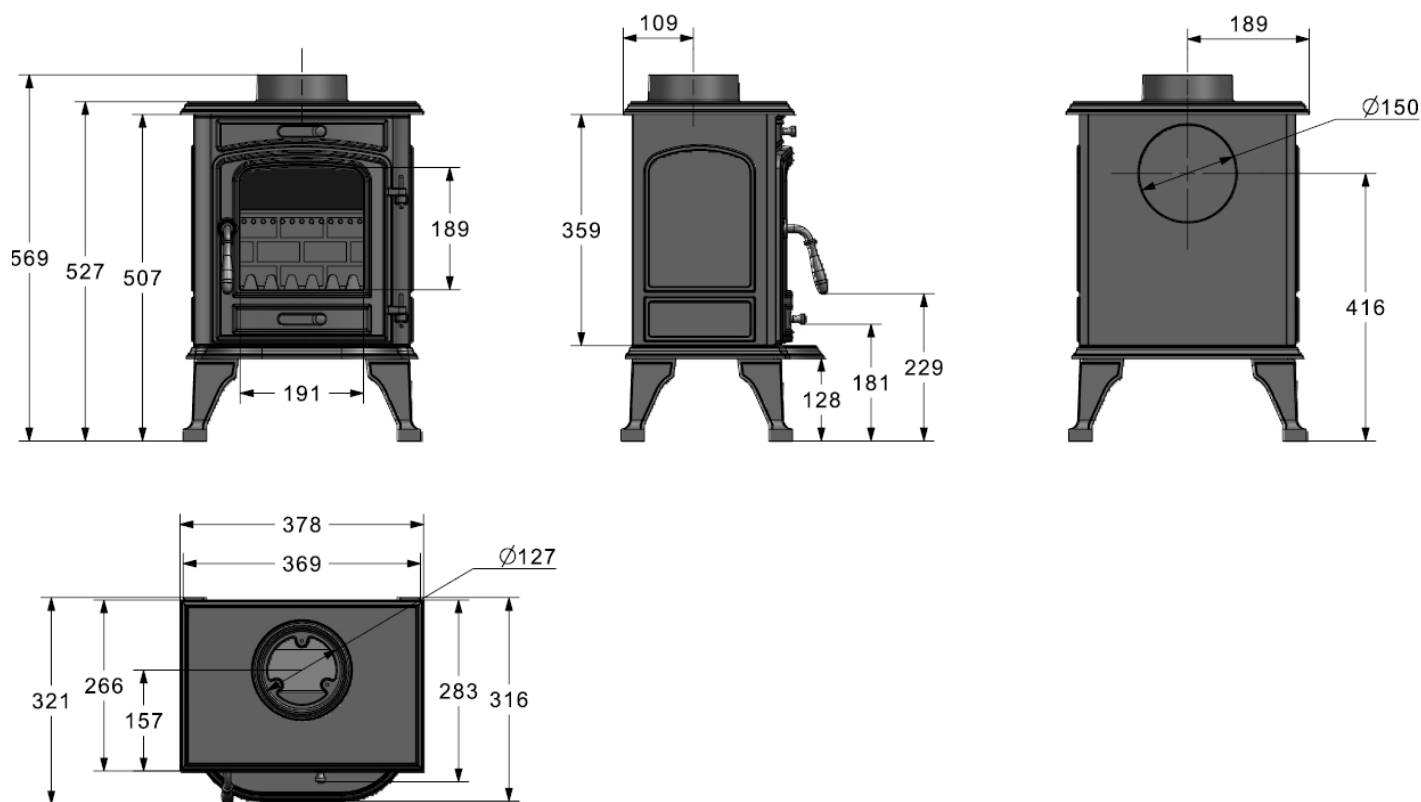




<b>Output range   Kw</b>	4.2 - 7
<b>Heating Capacity  </b>	180
<b>Nominal Efficiency   %</b>	79.2
<b>Type</b>	Freestanding
<b>Fuel Type</b>	Wood
<b>Category</b>	Traditional Wood
<b>Convection Type</b>	Natural
<b>Glass Cleaning Airflow</b>	Yes
<b>Ash Tray</b>	Yes
<b>Flue ø</b>	130
<b>Flue exit</b>	Top / Rear
<b>WxDxH   mm</b>	376 x 266 x 527
<b>Weight   Kg</b>	52
<b>Finish</b>	Cast Iron with Vermiculite
<b>Warranty</b>	3 Years

\* All warranties are subject to CRMS registration.



\*Unit of measure and model dimensions may vary. E&OE.